

## Element 40 / 220 – 240 / 350 D CS L

Constant Current LED Power Supply

200mA - 250mA - 300mA- 350mA

Element linear LED Power Supply is the reliable choice for linear and area fixtures for office - industrial - shop lighting;

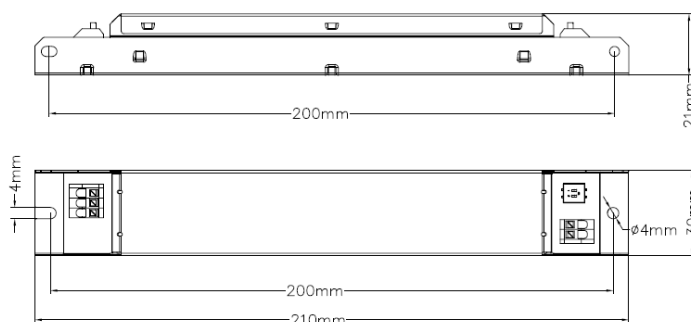
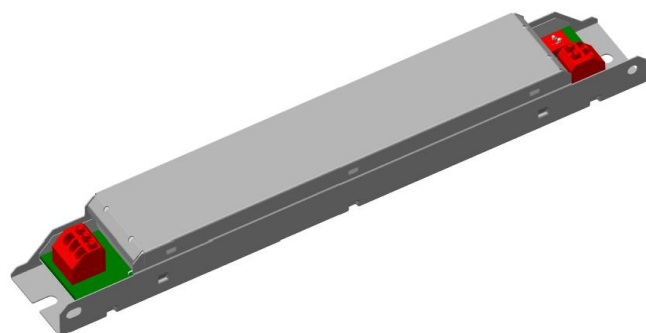
### Benefits

Flexible with 1 driver offers 4 output currents;  
Simple current selection via dip switch  
Enable slim fixture design with flat 21mm height metal housing  
Very high efficiency up to 92%  
OSRAM quality and reliability

### Applications

Linear and area lighting  
Office – industrial - shop

Approval marks (under preparation if not on label)



White metal housing

### Product features

- Output current: 200/250/300/350mA
- Wide output voltage
- Output power: 11W – 40W
- Low THD < 20% @ full load
- Power Factor up to 0.98
- Fixed output (no dimming)
- Overload, short & open circuit protection
- Efficiency up to 92%
- 50,000 hours lifetime at  $t_c = 65^\circ\text{C}$
- Ambient temp range  $t_a$ :  $-20$  to  $+50^\circ\text{C}$

## Electrical Specifications

Item	Value	Unit	Remarks
Nominal voltage	220 – 240	V <sub>AC</sub>	
Nominal frequency	50 / 60	Hz	
AC voltage range	198 – 264	V <sub>AC</sub>	Permitted voltage range
DC voltage range	NA	V	
Maximum voltage	300	V <sub>AC</sub>	2hrs
Nominal current	0.19	A	@ 230V
Total Harmonic Distortion (THD)	<20	%	Full load, 230 V, 50 Hz / see graphs
Power factor	0.98		Full load, 230 V, 50 Hz / see graphs
Efficiency	92	%	Full load, 230 V, 50 Hz, typical / see graphs
No-load power	<0.5	W	230V, typical
Stand-by power	NA	W	
Power loss	2.6	W	at 230V
Protection class	class I		Suitable for class I luminaries
Inrush current	13.5	A	t <sub>width</sub> = 170 μs typical
Max. units per circuit breaker	B16:28; B10:16 C16:45 ; C10:30		
Leakage current	< 0.7	mA	Output floating
Nominal voltage range	55-120	V <sub>DC</sub>	@ 200/250/300/350mA output current, Refer to Table 1 for details
Maximum voltage	160	V <sub>DC</sub>	Open circuit
Nominal current range	200/250/300/350	mA	
Current accuracy	+/- 7.5%		
Current ripple (typical)	<30%		Ripple / average @ 100Hz
Nominal power range	42	W	Partial Load. Refer to Table 1 for details
Maximum power	11 - 42	W	Ta ≤ 50°C, Refer to Table 1 for details
Galvanic isolation	Non Isolated		
Ambient temperature range t <sub>a</sub>	-20 ...+50	°C	Refer to Table 1 for details
Maximum case temperature t <sub>c</sub>	75	°C	Measured on t <sub>c</sub> point indicated of the product label.
Max. case temp. in fault condition	TBD	°C	
Storage temperature range	-25 ...+85	°C	Cool down before operating
Relative humidity during operation	5...85	%	Not condensing
Surge transient protection	1/2	kV	L/N   LN/PE acc. IEC 61000-3-2
Environmental rating	Indoor		
IP rating	IP20		
Mains switching cycles	> 100'000		
Expected lifetime	35000	hrs	t <sub>c</sub> Max =75°C, 10% failure rate.
	50000		t <sub>c</sub> Max =65°C, 10% failure rate.

### Protections

#### Overload

Yes, reversible

#### No load

Yes, reversible

#### Short-circuit

Yes, reversible

#### Input overvoltage

Maximum allowed input voltage 300 V AC/ 2 hours

#### Output overvoltage

Yes, Limitation of Output voltage <160V

#### Output under voltage

Yes, protected under 48 V

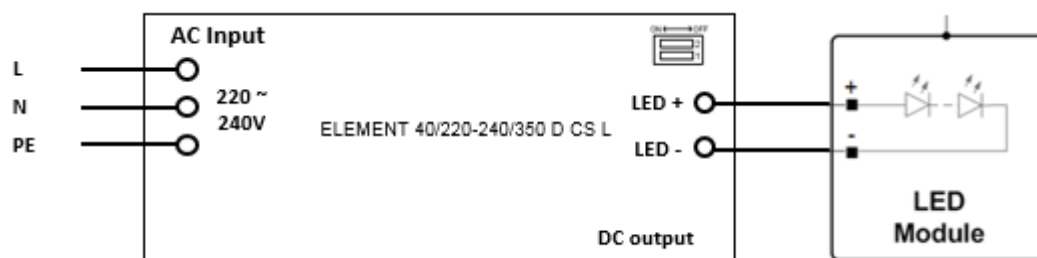
### Wiring Diagram

Terminal: Push in terminals  
 Max. cable length excl. modules: TBD  
 Geometry (l x b x h): 210X30X21 mm  
 Weight: 126 g

#### Wire preparation:

Push in  
 s:0.5-1.5  
 f:0.75-1.5  
 7-8 mm

Hot plug-in or secondary switching of LEDs is not permitted and may cause a very high current to the LEDs.



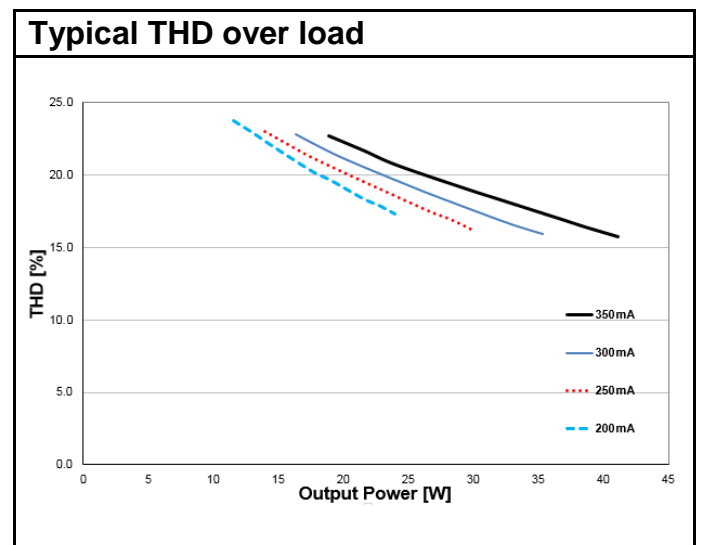
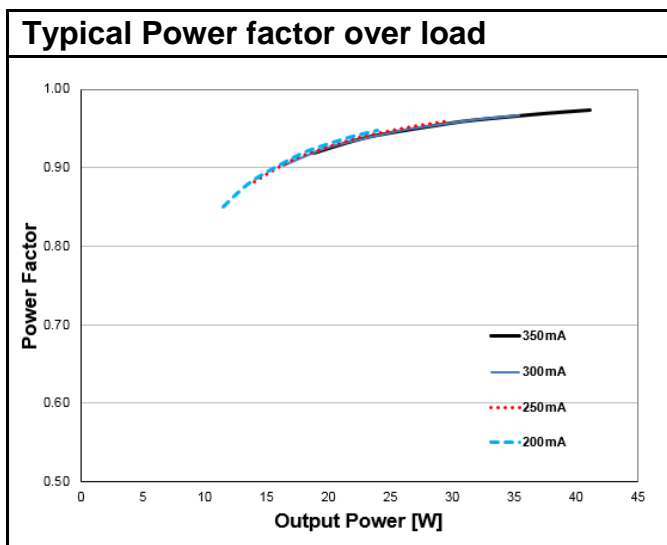
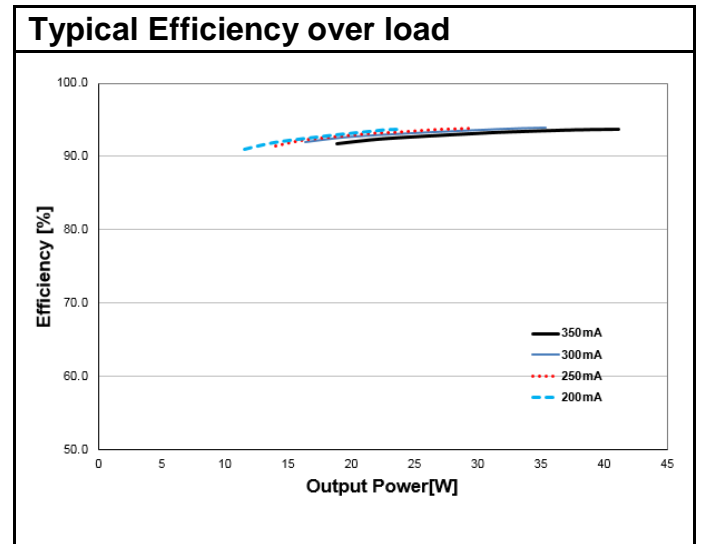
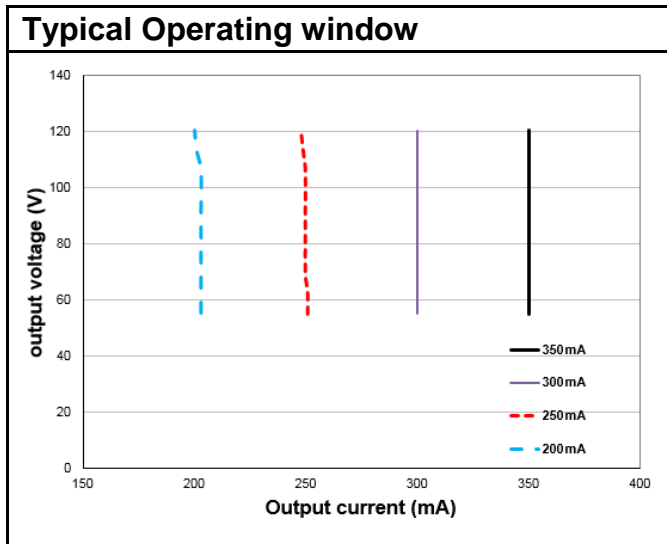


Table 1 - Rated output power and current sets				
<b>I<sub>out</sub> (mA)</b>	<b>200</b>	<b>250</b>	<b>300</b>	<b>350</b>
<b>U<sub>min</sub> [V]</b>	55	55	55	55
<b>U<sub>max</sub> [V]</b>	120	120	120	120
<b>P<sub>min</sub> [W]</b>	11	14	16.5	20
<b>P<sub>max</sub> [W]</b>	24	30	35.5	41
<b>T<sub>a</sub> [°C]</b>	50	50	50	50
<b>T<sub>c</sub> [°C]</b>	75	75	75	75
<b>Line Current, nominal@230V A</b>	0.147	0.168	0.186	0.188
<b>Max Power Loss@230V [W]</b>	1.5	1.7	2.0	2.8
<b>Input Power @230V [W]</b>	25.5	31.7	37.5	43.8

Pin1	Pin2	Currents (mA)
OFF	OFF	200
OFF	ON	250
ON	OFF	300
ON	ON	350

Current selection by DIP-switch

**Standards**

Safety: IEC 61347-1, IEC 61347-2-13

Performance: IEC 62384

Harmonic content: IEC 61000-3-2

Immunity: IEC 61000-3-3

IEC 61547

Product name	EAN10	EAN40	Pieces / box
ELEMENT 40/220-240/350 D CS L	4052899553095	4052899553101	20

OSRAM GmbH

Head Office:

Marcel-Breuer-Strasse 6  
80807 Munich, Germany  
Phone +49 89 6213-0  
Fax +49 89 6213-XXXX  
[www.osram.com](http://www.osram.com)

